



**OGDEN MUSEUM
OF SOUTHERN ART
EDUCATION DEPT**

**Ogden After Hours
O-riginal Art Activity:
Housing Native Bees
Inspired by Shawn Hall**



Shawn Hall, *Bees in Mind*, 2018,
Collaboration with B.A St. Ville Elementary
Located on the 3rd floor

Born in Ann Arbor, MI, Shawn Hall has lived and worked in New Orleans since 1997. She conducts fieldwork alongside her painting: documenting and researching the natural environment around her. She is an advocate for bee's protection and raises awareness about environmental issues through her work.



Learn about beneficial insects and make a habitat for them.

Supplies List: Straws, Scrap Paper, Card stock, Fake Flowers, Scissors, Hole-puncher, Ruler, Glue, Yarn

Instructions:

Step 1: If you were a bug, what kind of house would you live in? Think about how you want to decorate your bug house.

Step 2: Pick out 4 templates with designs you like. Use markers to color your house. Use a glue stick to glue insect images to your bug house. Remember to only decorate the back and 2 sides of each box.

Step 3: Use scissors to cut along the lines on the template. Be sure to cut out the pattern on the top of the box. Use a hole puncher to make holes to hang the house later. Use a ruler to help you fold along the dotted lines.

Step 4: Use a glue stick to glue your box together along the tabs, but leave the top open. Glue or tape all 4 boxes together. Cut and tie a piece of yarn through the holes for hanging.

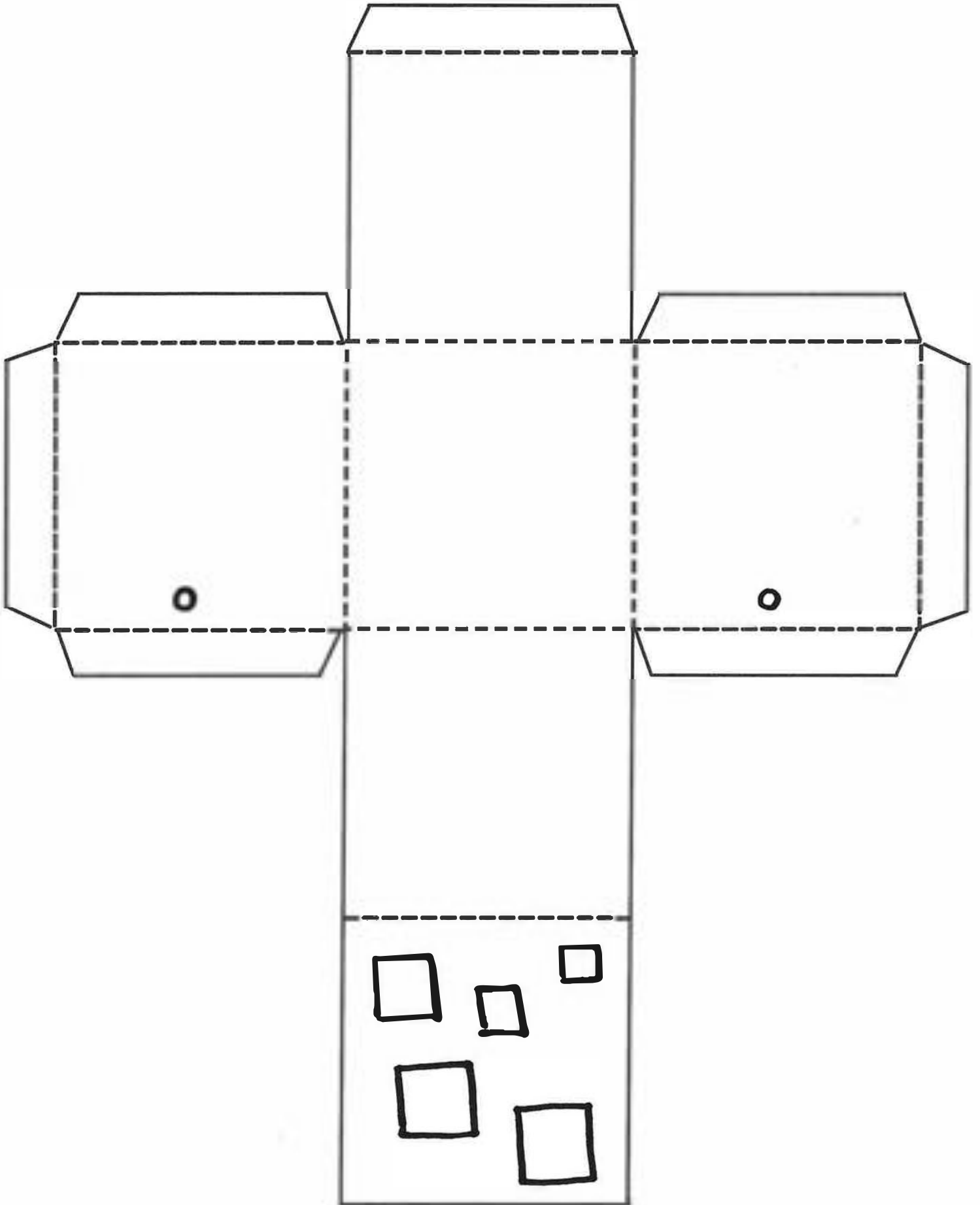
Step 5: Fill your bug house with flowers, paper scraps and straws. Be sure to make your house cozy for the bugs.

Step 6: Close the top to your house. Hang it somewhere outside that is covered.

Step 7: Think about bees: Why do you think native bees are important? How can we help protect these diverse and important insects?

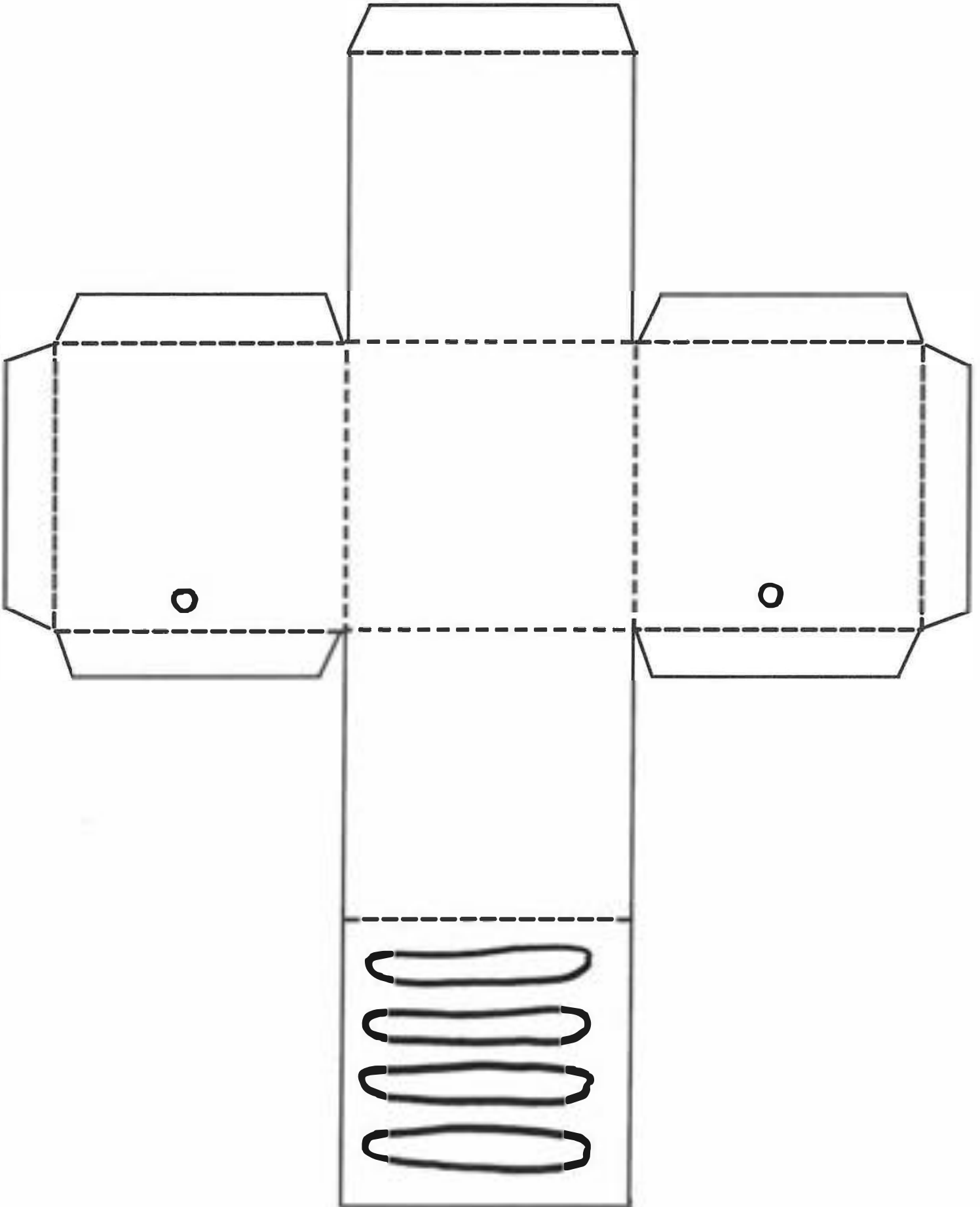
Cube Pattern

Cut on solid lines - Fold on dashed lines



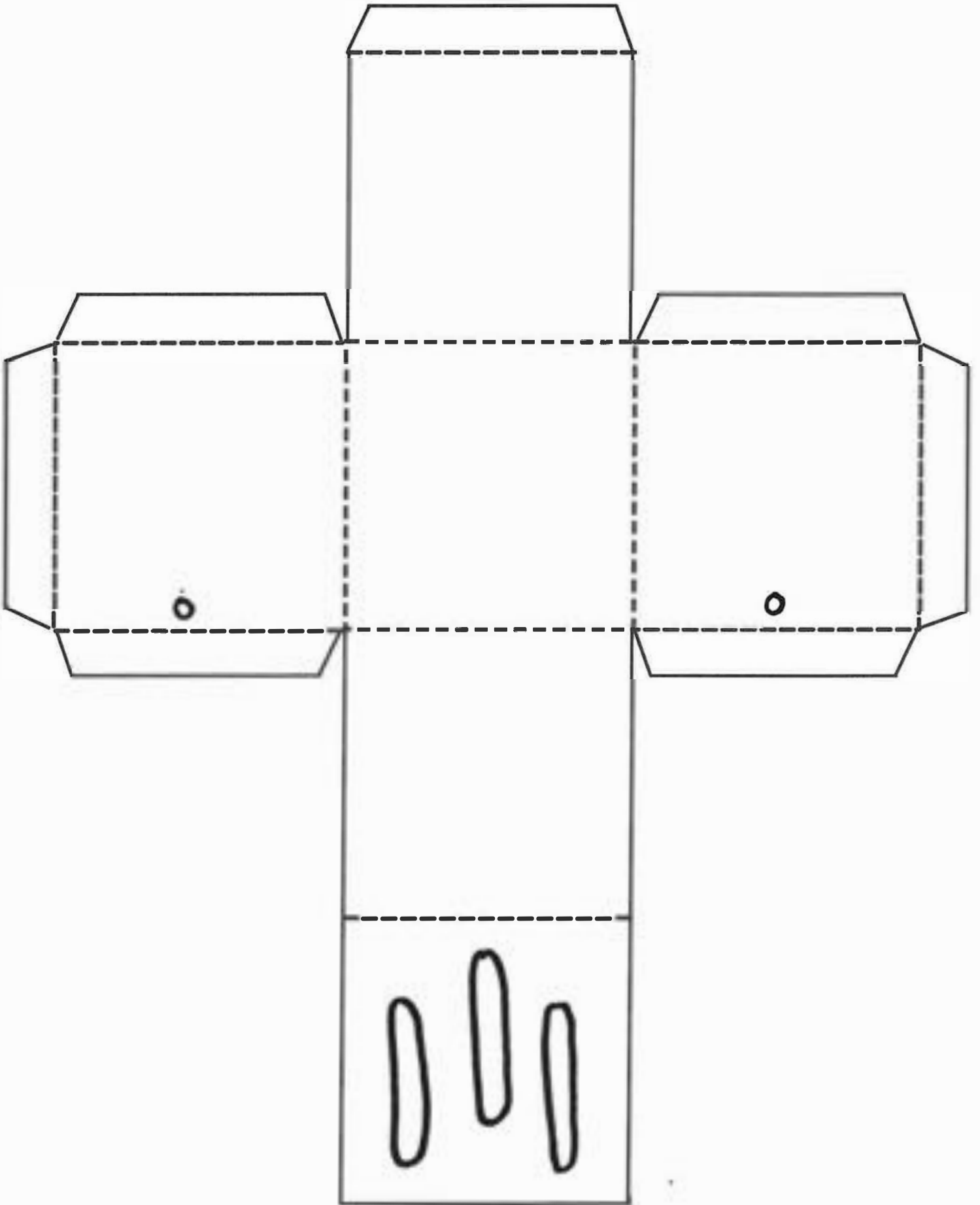
Cube Pattern

Cut on solid lines - Fold on dashed lines



Cube Pattern

Cut on solid lines - Fold on dashed lines



Cube Pattern

Cut on solid lines - Fold on dashed lines

